

User Manual

SteamHero

Original instruction



i INFO:

To ensure that your cleaning equipment can continue to operate reliably and smoothly, please change the O-rings approx. every 6 months.

See: Service/Maintenance Section 3



Read carefully these instructions before using the machine.

EPA Regulatory Information (United States)

This product is a **pesticidal device** as defined under Section 2(h) of the Federal Insecticide, Fungicide, and Rodenticide Act (FIFRA) and is **not required to be registered** with the U.S. Environmental Protection Agency (EPA).

The device performs cleaning and sanitizing functions **exclusively through high-temperature steam** and **does not contain, incorporate, or release any chemical pesticidal substances.**

This product must be used in accordance with the instructions provided in this manual.

Failure to follow the directions for use and safety precautions may result in ineffective operation or personal injury.

EPA Establishment Number: 91130-ITA-2

The revolution in commercial cleaning

Steam Hero is more versatile than any other professional steam cleaner. In addition to the suction and steam function, the hot water inflow can also be regulated continuously using a control valve that allows you to set the wet effect on the device independently.

Full power for a greater clean. Kind to the environment.

Steam Hero is kinder to the environment than almost any other cleaning system. It is only filled with clear water and minimises water consumption thanks to the steam pressure. There is no need for any harmful or really aggressive chemicals.

The applications of Steam Hero are practically limitless. Steam Hero really comes into its own in areas of high public traffic. Even large areas can be cleaned efficiently and quickly with little effort. Pathogens don't stand a chance!

Make steam

Cleaning revolution for all industries



Industry

From carpets to upholstery

Steam Hero cleans almost any surface – streak-free and deep.



Offices

Clean desks

Door handles, conference tables, floors, kitchen areas – Steam Hero guarantees a clean, germ-free work environment.



Retail

Gleaming sales areas

Tough dirt and odours vanish in no time at all.



Health

Hygienic surfaces

The hot steam thoroughly cleans your practice rooms with little effort and a big impact for your patients.



Restaurants

No scrubbing, no chemicals

Steam Hero also dissolves fat in hard-to-reach places – with no strong cleaning products.



Wellness

Gyms, saunas and spas

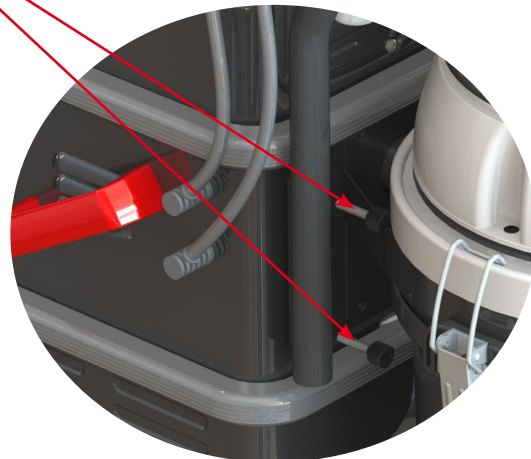
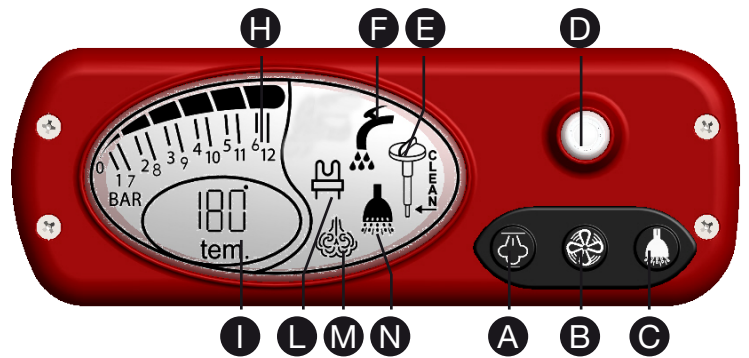
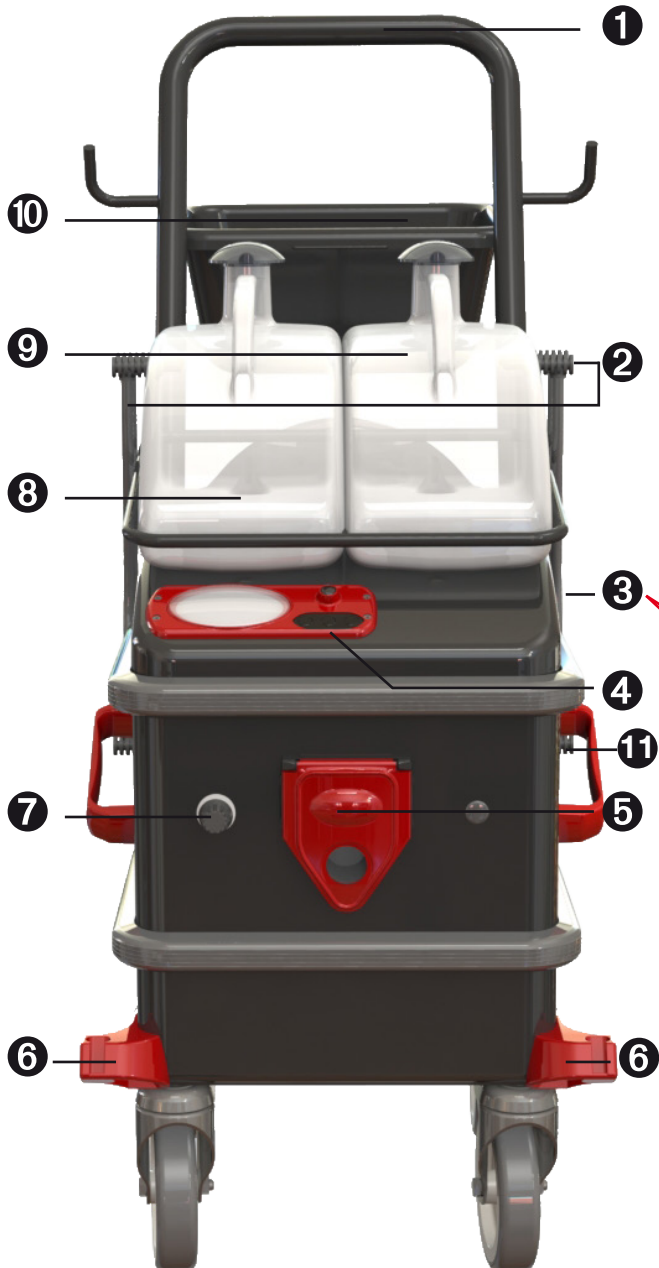
It's good for people to sweat. And thanks to Steam Hero it's no longer a problem for others. All equipment and contact surfaces can be cleaned perfectly.

And many more possibilities for use

Description of equipment

- ① Handle
- ② Tank tubes
- ③ Handle locking screws
- ④ Display
- ⑤ Suction tube port - steam
- ⑥ Suction tube support - steam
- ⑦ Steam regulator
- ⑧ Water refill tank
- ⑨ Hot water/washing extraction tank
- ⑩ Accessories box
- ⑪ Main switch

- Ⓐ Boiler ON/OFF button
- Ⓑ Suction ON/OFF button
- Ⓒ Washing-extraction ON/OFF button
- Ⓓ Suction function display
- Ⓔ Service indicator - probe
- Ⓕ Lack of water indicator
- Ⓖ Working pressure display
- Ⓗ Working temperature symbol
- Ⓛ Resistor symbol
- Ⓜ Steam symbol
- Ⓝ Washing-Extraction Function



Important Advice for Users

Congratulations on the purchase of this product.

Your choice confirms your strong technical knowledge and your excellent taste. Ultimately, you have chosen a high-tech product, which has been manufactured using only materials of the highest quality.

Please take the time to read the User Manual carefully before starting your new appliance and keep the Manual to hand so that you can refer to it in the future.

This Manual contains the information you need for proper use, correct operation, appropriate cleaning, care and maintenance of the appliance.

It is essential that you are familiar with and follow the instructions in the Manual to ensure risk-free use, as well as your own safety during operation, cleaning, care and maintenance. This User Manual cannot foresee every conceivable use of the appliance.

If you would like more information or if specific problems arise that are not covered in sufficient detail in this User Manual, then please contact the manufacturer directly to request the necessary information.

1. Description of equipment

Steam Hero impresses thanks to its ease of use, sophisticated technology and diverse range of applications. It sets new standards in terms of hygiene and cleaning, makes the job much easier and saves time, drastically reduces the use of harmful cleaning agents that are bad for the environment, and ensures perfect cleanliness and a healthy feel-good ambience.

2. Purpose of use


Steam Hero can be used for thorough cleaning of surfaces and objects and to clear unpleasant odours from the air indoors.

3. Safety instructions

3.1 Warnings

- The appliance may only be operated by people who are familiar with its use. Remember that the steam jet may cause damage if used incorrectly.
- The appliance must not be used by children. Children do not understand the risks that may arise when dealing with electrical equipment and, therefore, children must never be left unattended with such equipment.
- Never use a faulty appliance or an appliance with a damaged power cable.
- Do not put cleaning agents, perfume or other chemical substances into the tank.
- Warning! Do not suction flammable or explosive substances or hot ash!
- Never immerse the appliance in water or other liquids. Never spray the appliance with water.
- Never touch the steam jet. **Risk of burning!**
- Never aim the steam jet at people or animals. Nor at electrical sockets, connections or equipment. **Risk of burning!**
- Do not use the appliance if other people are present in the working area.
- Refrain from any unsafe working methods.
- Do not use the steam jet for direct cleaning of electronic equipment (e.g. computers, televisions, telephones etc.).
- Before cleaning ovens, fridges etc. always disconnect the power first to ensure these are switched off. You must follow the manufacturers' specific instructions.
- **Warning!** The appliance may not be used to clean items that contain asbestos or other harmful substances.
- **Caution!** In the following instances steam may not be used or may only be used with the greatest care: on objects made from leather, Alcantara, velours or other sensitive materials, on waxed or painted surfaces, polished wood surfaces and for direct contact with bonding agents or silicone. Please always follow the manufacturer's instructions. For sensitive materials carry out a test first on a sample or on an inconspicuous, concealed area. Always start on the lowest setting. Pre-heat windows or other glass surfaces with a low steam setting from a distance of approx. 30 cm and clean in combination with suction.

3.2 Precautionary measures

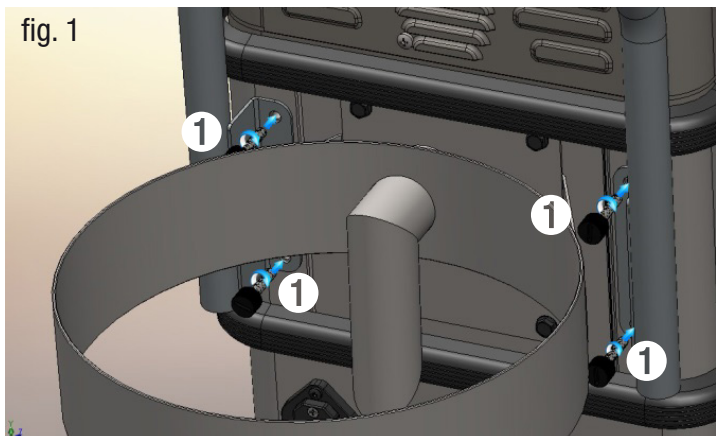
-  The following symbol identifies the command with which steam is released.
 - Operation of the appliance is subject to national regulations.
 - Always ensure the appliance is in proper working order before starting up.
 - Perform regular checks on the power cable, plug and steam suction hose for damage or signs of wear.
 - Do not start the appliance if the steam suction hose or power cable are damaged.
 - Place the appliance on a stable and level surface. Never place it on warm or hot surfaces. Choose somewhere that is not accessible to children or pets.
 - Do not position the appliance in direct proximity to heat sources (fires, heaters or other heat-emitting objects).
 - Position the appliance somewhere with good air circulation to prevent overheating.
 - Never expose the appliance to the weather (rain, snow, frost etc.).
 - Never touch the appliance, plug or electrical cables with wet hands or feet.
 - Do not bend, squeeze or run over the steam suction hose.
 - Never pull on the power cable or on the appliance itself when disconnecting the mains plug.
 - Protect the power cable from heat sources, steam and oil, and from damage by avoiding pulling, squeezing or running over the cable.
 - Never leave the appliance unattended when it is connected to the mains.
 - To prevent unauthorised use of the appliance, ensure all switches are off and the power is disconnected during breaks.
 - Always disconnect from the mains before cleaning and maintenance work.
 - Only perform maintenance work that is described in the User Manual. Only use original spare parts and accessories.
 - Do not undertake any technical modifications on the appliance.
 - Never repair or open the appliance yourself. Repairs may only be performed by authorised personnel.
 - Take the appropriate precautions when using acidic descaling agents. Protect sensitive surfaces, especially natural stone and wood, from spray and droplets.
 - Some drops of condensation may form at the start of steam cleaning – wipe these up with a cloth.
 - The electric supply connection shall be made by a qualified electrician and comply with IEC 60364-1. It is recommended that the electric supply to this machine should include either a residual current device that will interrupt the supply if the leakage current to earth exceeds 30 mA for 30 ms or a device that will prove the earth circuit.
- WARNING:** Do not use the machine within range of persons unless they wear protective clothing.
- WARNING:** Do not direct the jet against yourself or others in order to clean clothes or foot-wear.
- WARNING:** Risk of explosion – Do not spray flammable liquids.
- WARNING:** To ensure machine safety, use only original spare parts from the manufacturer or approved by the manufacturer.
- i INFO:** To minimise the occurrence of condensation (caused when the steam hose and attachments are not at operating temperature) it is recommended that you allow the steam to flow for a few seconds on the maximum setting before starting the cleaning work. This ensures the steam hose and attachments heat up more quickly.

Assembly / preparation

Assembling the handle and tank support basket

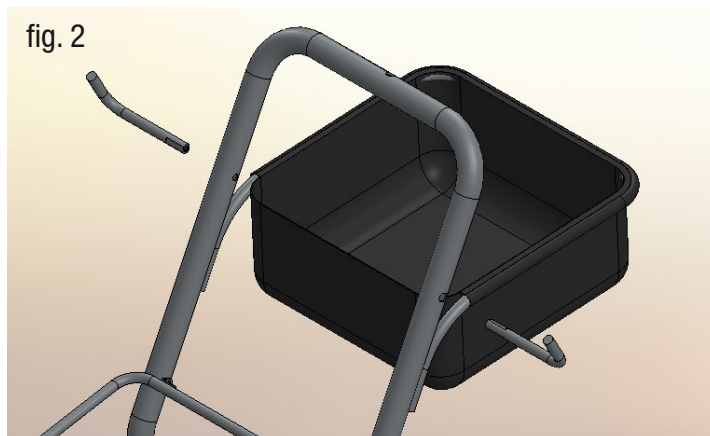
Take the handle, position it and fix with the 4 screws provided

fig. 1



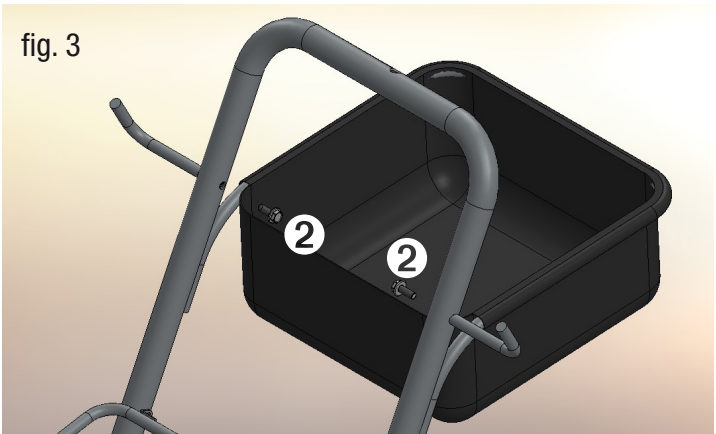
Take the two metal hooks and position them.

fig. 2



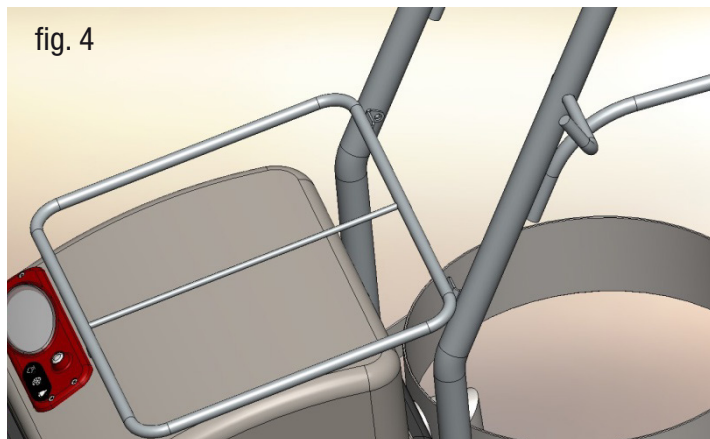
Fix completely using the two screws.

fig. 3



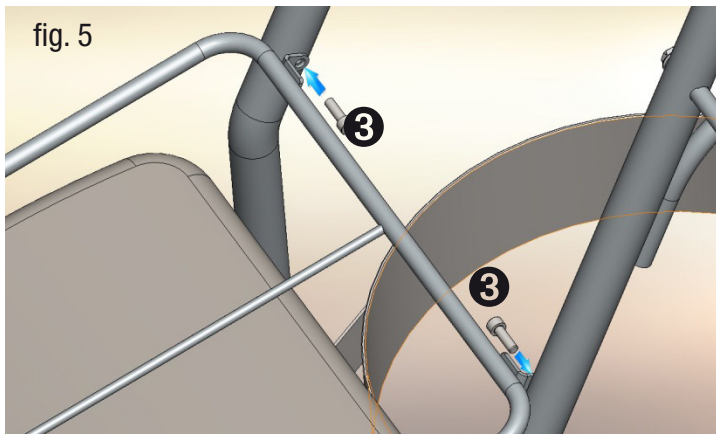
Take the tank support basket and position it.

fig. 4



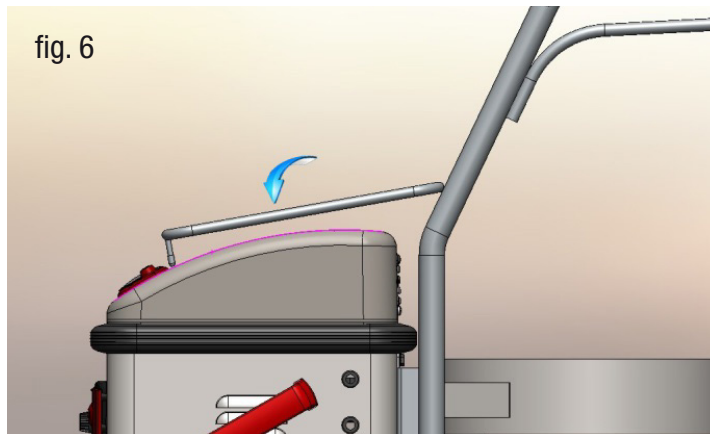
Prepare the two screws provided.

fig. 5

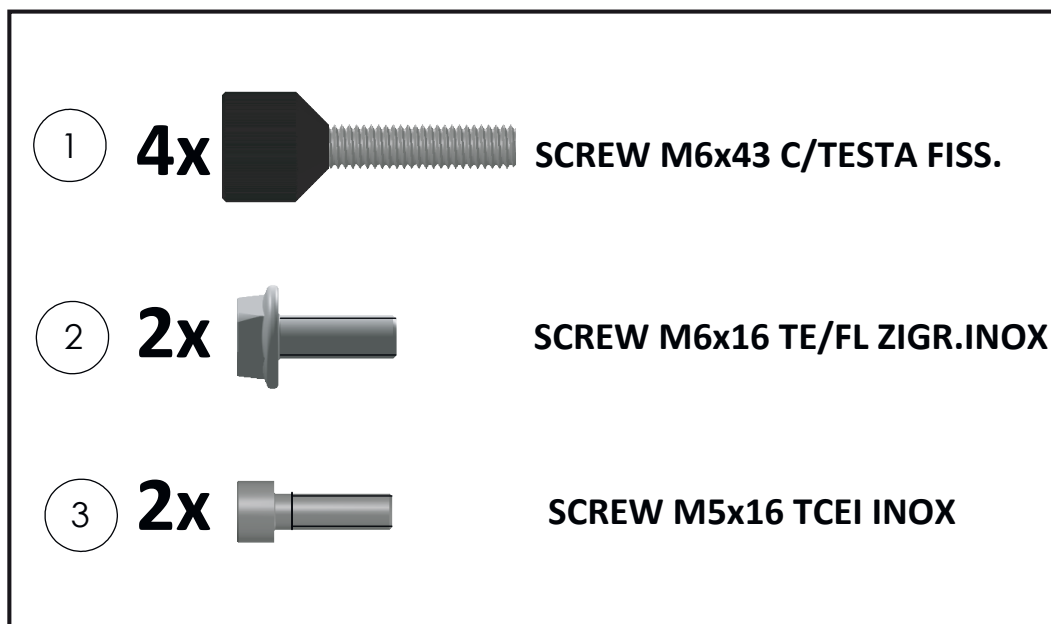


Make sure the basket is fully resting on the top of the body of the device - Fix the two screws definitively

fig. 6



Fix the two tanks in place, water on the left and detergent on the right (as shown in fig. 7).

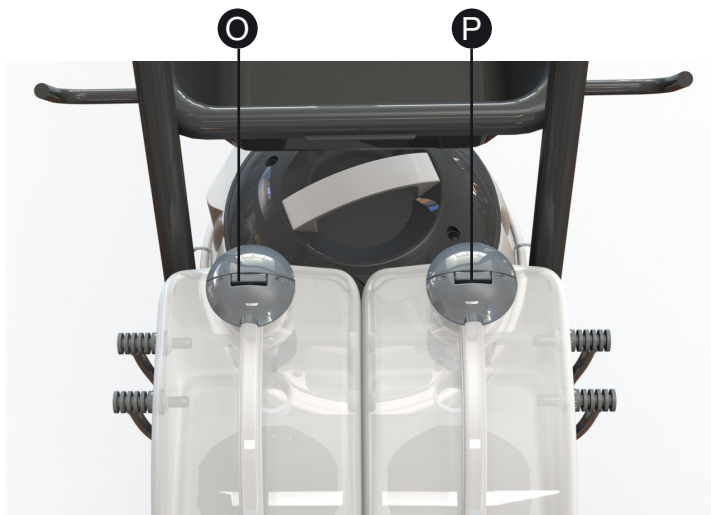


Assembly / preparation

Fill the reservoir **O**

Fill the hot water module **P**

- Open the cap **O** and fill the water tank with normal tap water using the funnel.
- Re-close the tank cap.
- Fill the tank **P** for the hot water module, likewise with normal tap water. If your water is particularly hard, you may also use distilled water mixed with tap water in this tank.



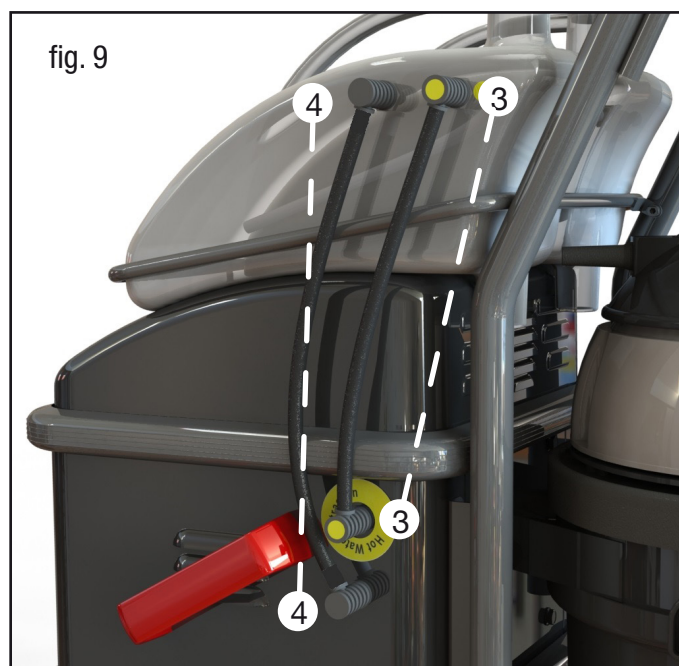
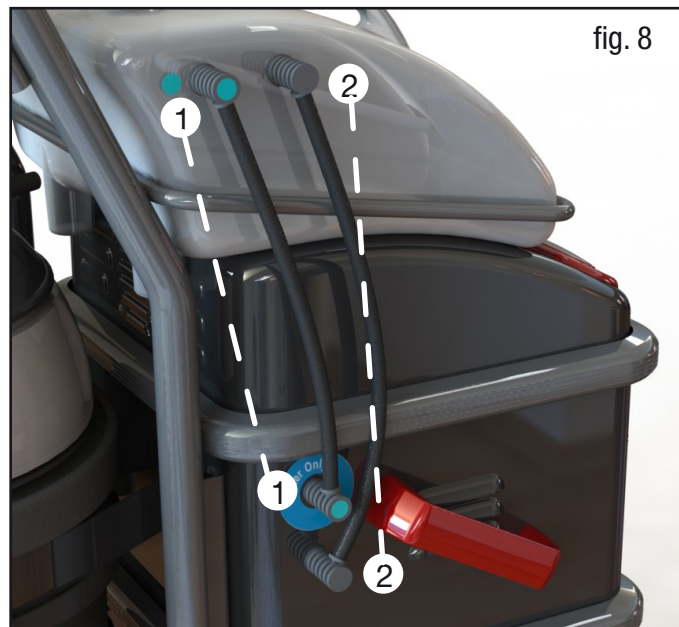
- Re-close the tank cap.

The following combined functions are possible depending on the application area:

- Steam cleaning
- Steam cleaning with hot water
- Suction
- Suction and steam cleaning (steam suction)
- Suction and steam cleaning with hot water function

Connection of water loading and detergent/hot water tank tubes

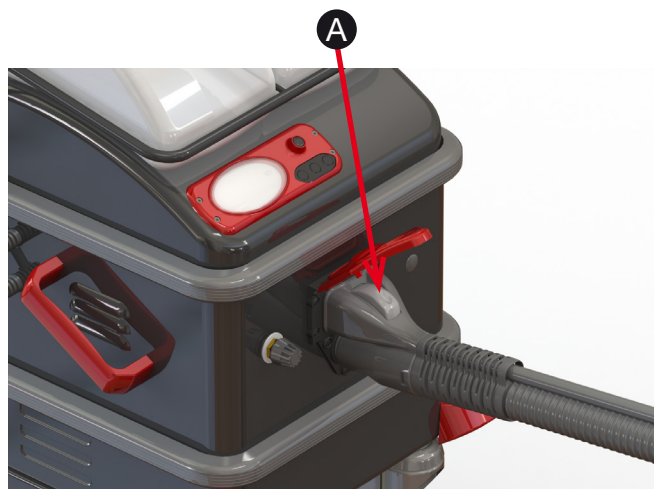
Connect the tubes as shown in figures 8 and 9



Assembly / preparation

Insert the steam-suction tube

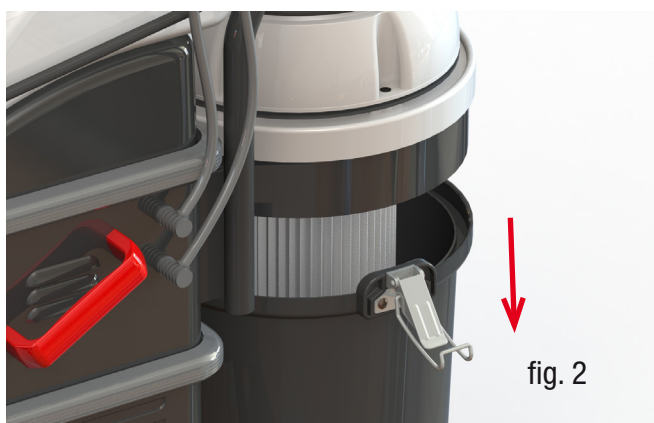
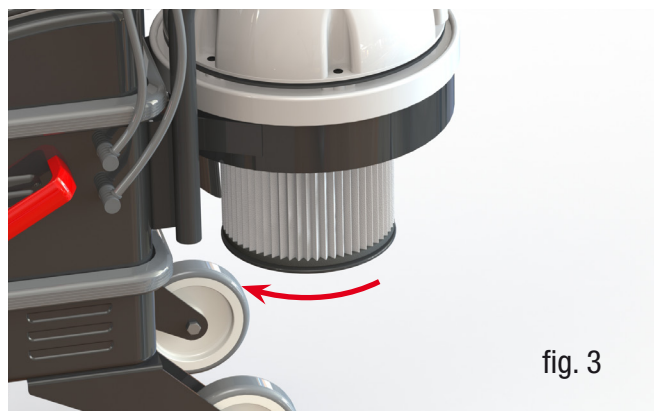
- Insert the connector of the steam-suction tube into the port until you hear the safety hook click into place.
- To remove the tube from the machine, press the release button **A** and pull the connector



Wet vacuum function only

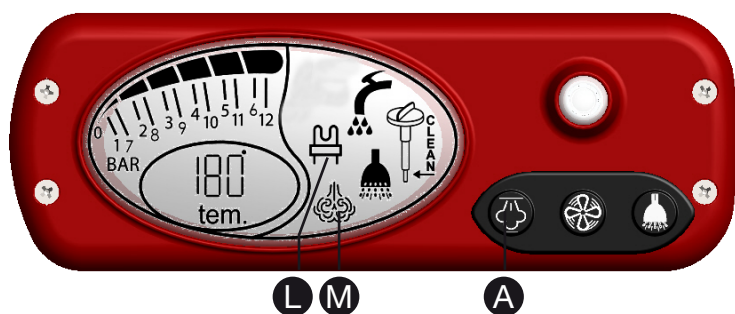
 **IMPORTANT:**

To use the device as a wet vacuum, the polyester filter must be removed by unscrewing the ring nut placed under the filter, as shown below in figs. 1, 2 and 3. To return to normal vacuum mode, the filter must be put back in position.



Start-up steam

Insert the plug into the mains socket.
Turn the main switch to the ON position.
The display turns on and there is power.
The display goes to OFF. (Standby)



Press button **A** on the display. The appliance switches on and begins to heat.

The symbol **L** for heating flashes on the display during the heat-up phase (approx. 5 minutes).

The symbol stops flashing once the temperature is reached. You can now use the steam function.

i INFO:

The heating symbol flashes during operation to indicate that the appliance is reheating to deliver sufficient pressure and temperature.

Switching off the appliance

Press button **A** to switch off the appliance. The appliance switches off after approx. 10 seconds. OFF is shown on the display. (Standby)

Steam function

Hold down steam lever **P** on the handle to emit steam.



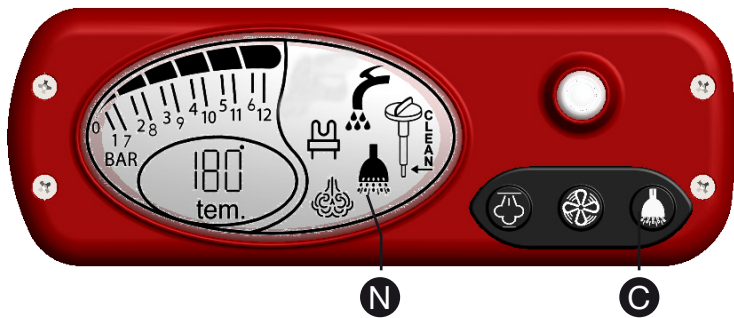
! WARNING:

Water droplets may occur on first use, which may be due to incomplete heat stabilisation in the housing. For this reason, we recommend aiming the first steam jet at a cloth until an even flow of steam is achieved.

i INFO:

For sensitive materials carry out a test first on a sample or on an inconspicuous, concealed area.

Start Steam with Washing-Extraction



The wet effect, and therefore cleaning performance, can be increased for hard-to-remove dirt, by selecting the washing-extraction function.

i INFO:

Do not use on delicate surfaces/materials.

Start "Washing-Extraction" function

Press button **T4** on the handle to activate the washing-extraction function. The **N** symbol on the display will remain lit.

Always use the **T4** button on the handle to switch the washing-extraction function on and off.



The flow of the "washing-extraction" function can be adjusted by pressing button **C** in three steps.

The flow is indicated by LO-ME-HI.

Start Suction

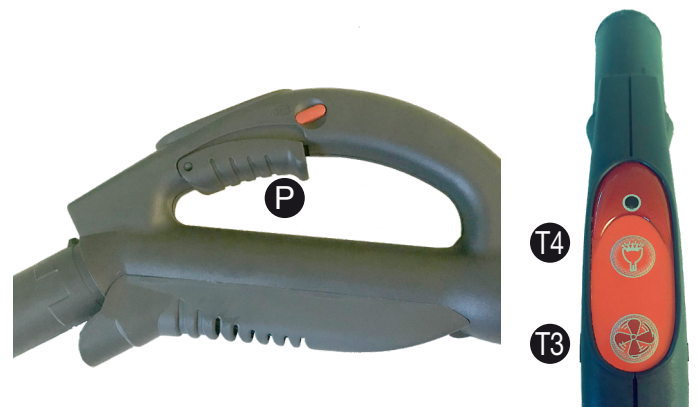


Suction

Press button **B** on the display to activate the suction function (with display in standby mode).

The LED light **D** for suction turns red.

Press button **T3** on the handle to activate suction (with display in standby mode).



Press and hold the **B** button on the console to change the suction setting.

MIN = LED **D** turns green

MED = LED **D** turns orange

MAX = LED **D** turns red

Press button **T3** on the handle to turn off the suction.

i INFO:

Since liquid will be present in the hose and in the extension tubes during suction operations, the device must not be immediately disconnected after cleaning.

It is necessary to wait about 30 seconds.

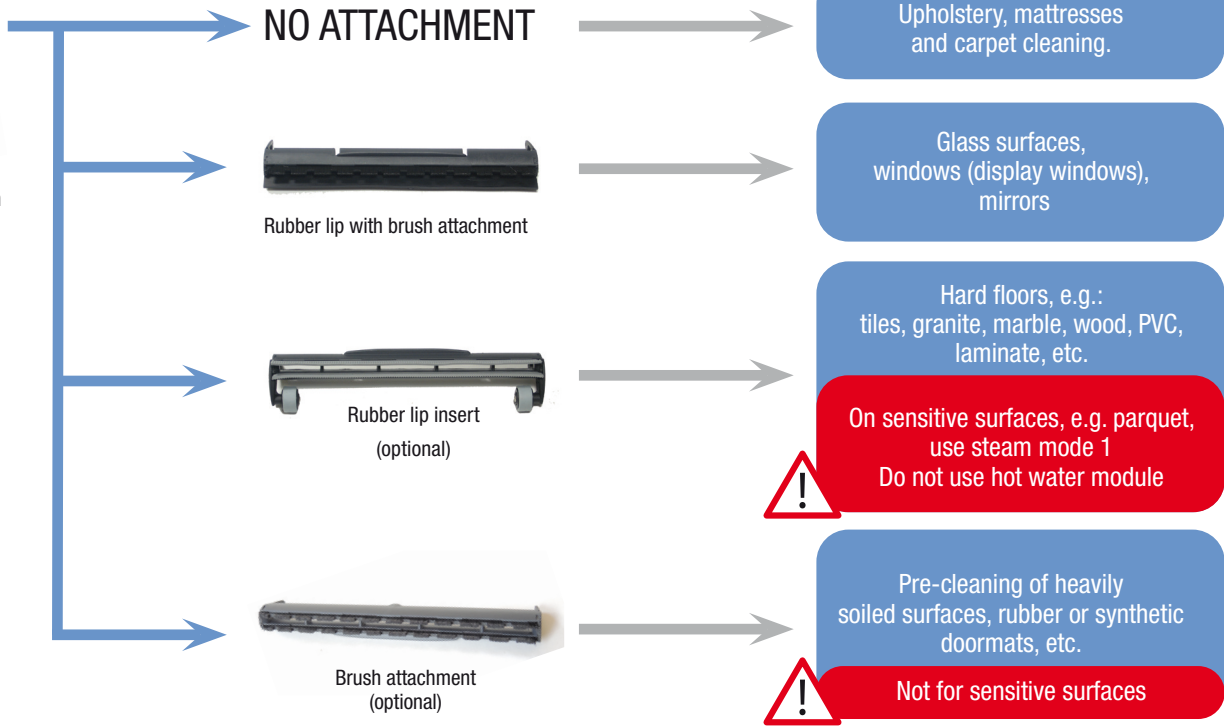
Standard accessories and use



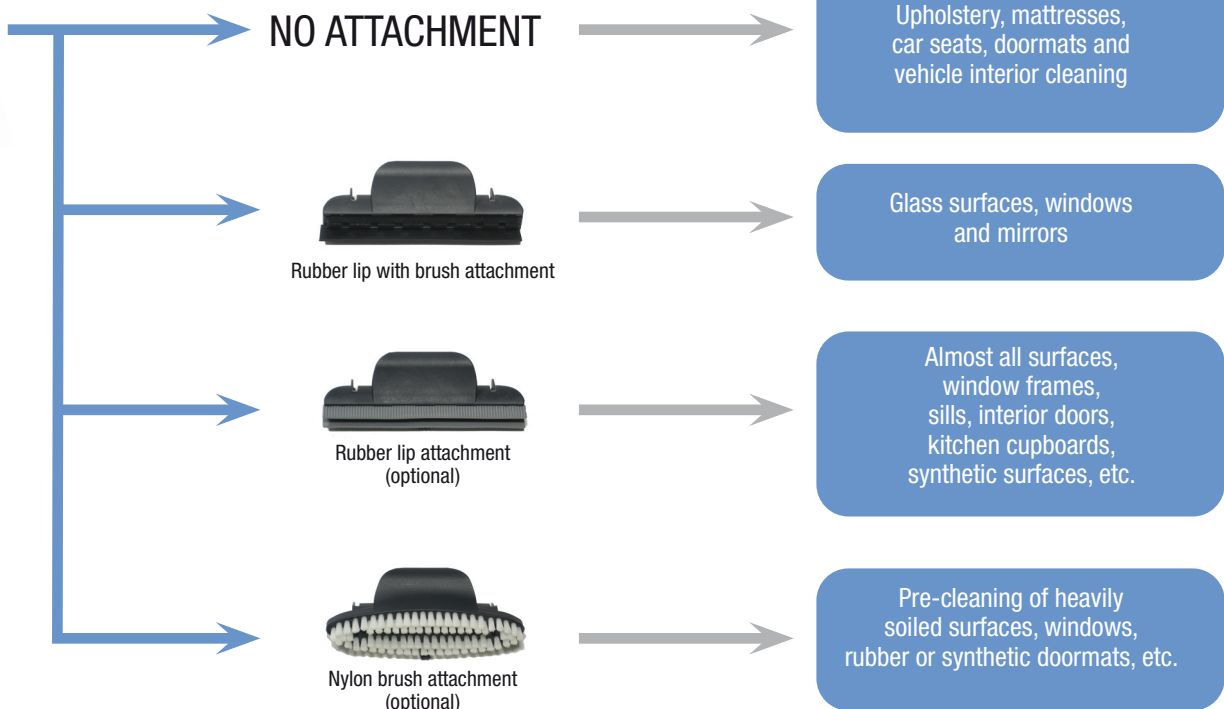
Steam suction hose



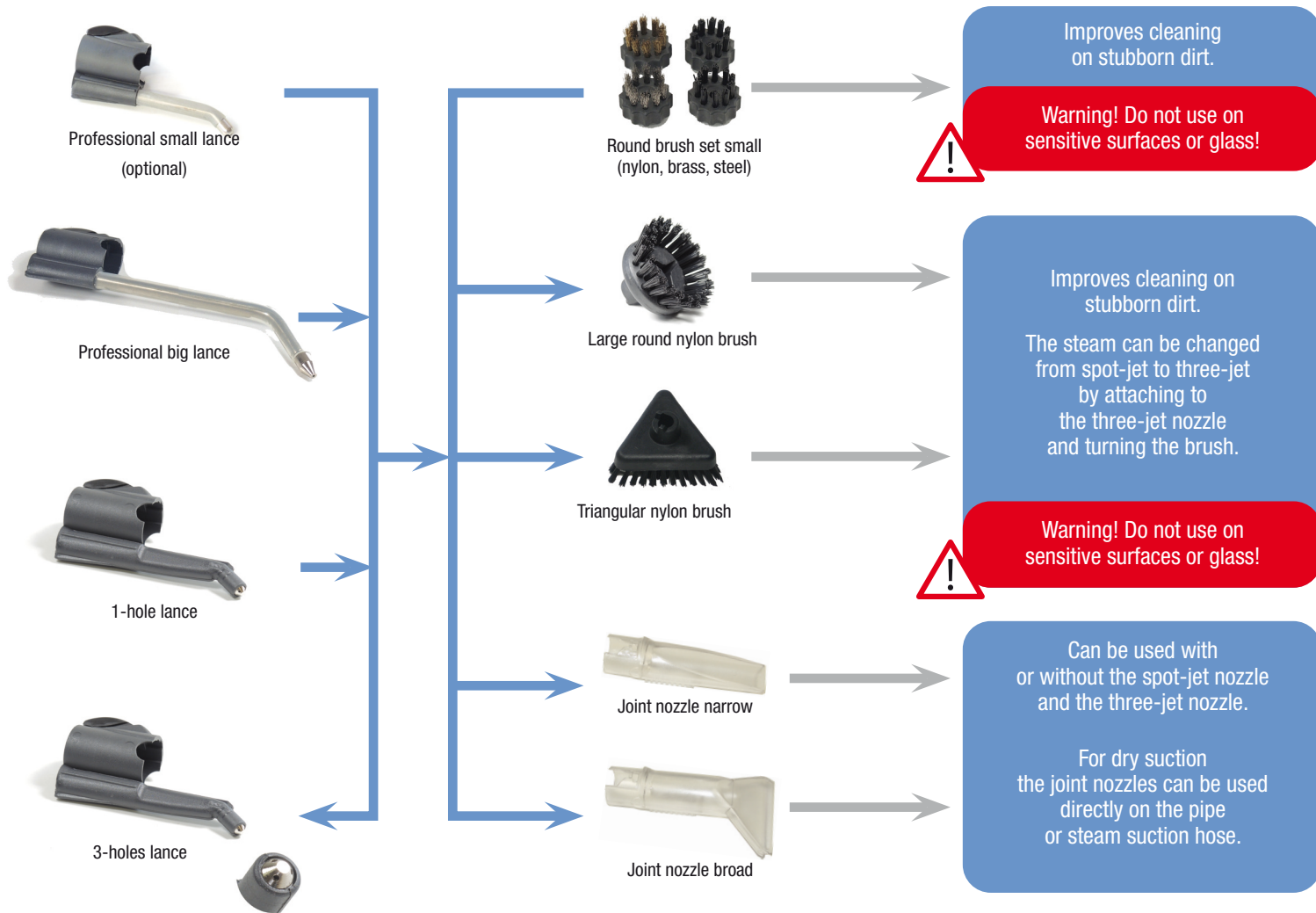
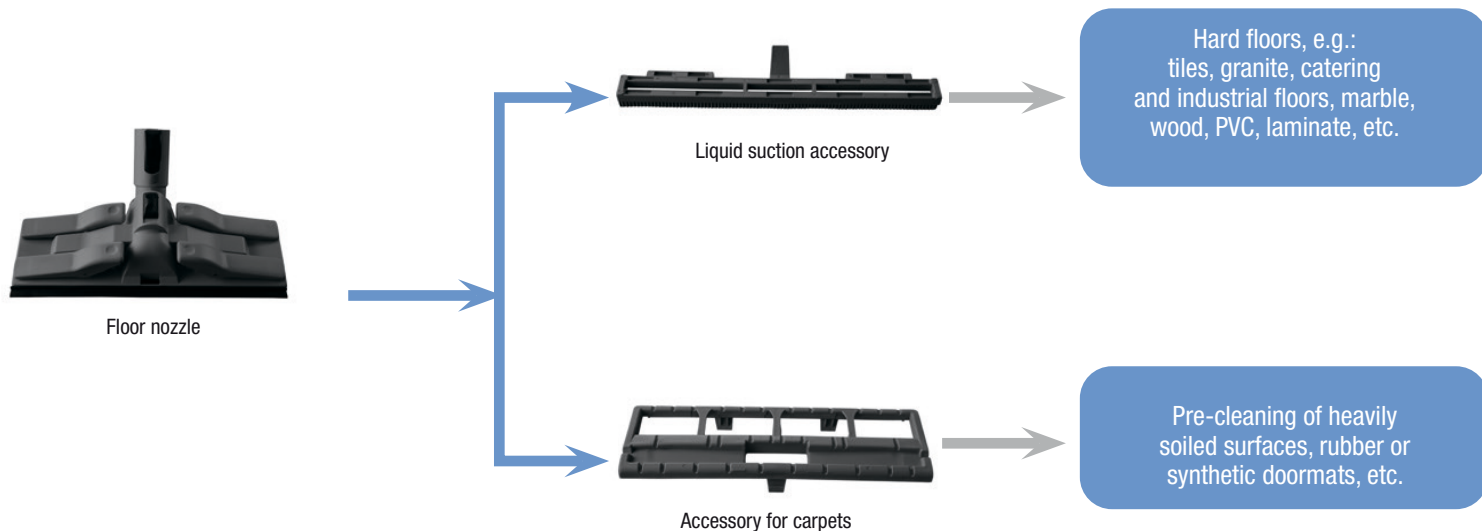
Extraction nozzle, 238 mm



Extraction nozzle, 146 mm

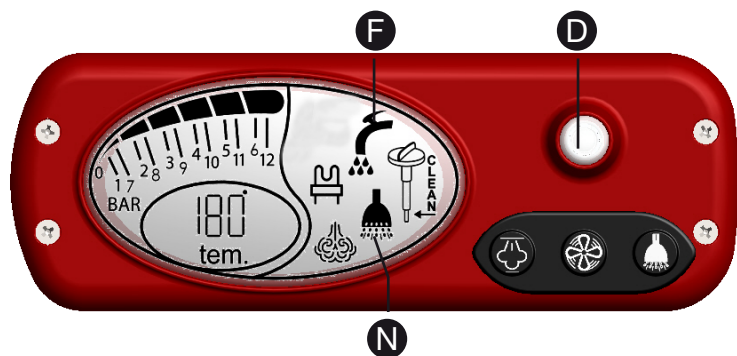


Standard accessories and use



Warning:
Always adjust the steam volume and accessories for the surfaces you are cleaning!

Indications



Lack of water in the tank

A lack of water in the tank **C** is indicated by the symbol **F** flashing on the display and by an acoustic signal at the same time. To resume operation, fill the tank as described in section **C**, "Filling the tank".

Tank full

If the dirt in the tank reaches the maximum level, the float comes into operation and the motor noise becomes louder. Switch off the appliance.

To continue with cleaning operations:

- Remove the tank and empty it completely.
- Replace the tank, ensuring it is in the correct position (see figs. 1-2-3, page 7).

IMPORTANT:

Remove and clean the float, checking it is not damaged. Replace it if necessary.

Error Code Display

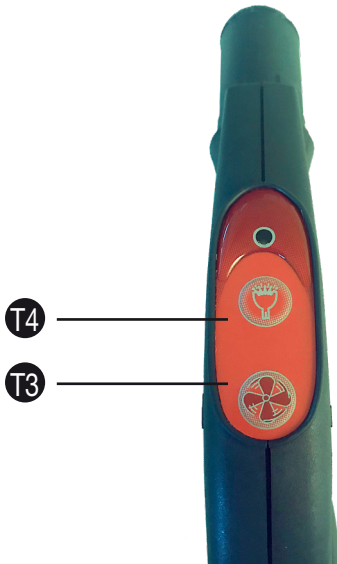
- E01/E03** Fill the water tank
- E02** Refill hot water tank
- E05** Descale the boiler
- E08** Replace anti-scale filter
- E10** Service

Shutting down

To ensure the function, cleanliness and hygiene of the appliance, follow the procedure below after completing the cleaning operations:

1) Remove the tank, empty the dirty water and replace the tank.

2) Press button **B** on the display (or **T3** on the handle) to activate the suction function (with display in standby mode). The LED light **D** for suction turns red.



3a) Clean the suction tube and accessory parts in suction mode 1.

Suck approx. 2 litres of a solution of water and neutral detergent through the accessory parts used (steam tube, extension tube, etc.) to clean.

i INFO:

Repeat the rinse process with clean water if there is still foam.

4) Empty the tank, clean it, and re-attach it to the head of the motor using the two clips (see page 7).

5) Switch off the functions selected by pressing the dedicated buttons on the display. The appliance will switch off after about 10 seconds.

The OFF message will appear on the display.

6) Disconnect from the electricity network by removing the plug.

7) Store the appliance in a sheltered area.

Technical data

Steam Hero

Electrical connection

Nominal voltage	120 V 60 Hz
Total output	1800 W
Boiler nominal consumption (Boiler made from stainless steel INOX Aisi 304)	1000 W + 700 W
Automatic refill system	Yes, 3,8 litres / 1 gal
Steam temperature	max. 184 °C / 353 F°
Steam pressure	max. 10 bar (1000 kPa)
Motor nominal consumption	1200 W
Capacity recovery tank	8 litres / 2,11 gal
Underpressure	2100 mm H ₂ O/82,6 in
Length steam suction hose	approx. 3.2 metres / 118 in
Weight	approx. 26.2 Kg / 58 lbs
Size (l x w x h)	744 x 400 x 920 mm / 29,3 x 15,7 x 36,6 in

incl. hot water module 1 gal for the stubbornest dirt.

The manufacturer reserves the right to make technical changes or changes to accessories in the course of further development.

Troubleshooting

ERROR	CAUSE	REMEDY
Suction is not working.	The tank is not positioned correctly.	Check the tank and reposition it carefully.
	Not switched on on the display.	Press briefly on button (B) on the display; suction can then be switched on using button (T3) on the handle.
No suction.	Polyester filter dirty.	Wash with plenty of warm water and neutral cleaning agent. If damaged replace it.
	Foreign body or dirt in the hose or accessory.	Check hose and accessory and clean as required.
Strange noises while suction.	Polyester filter dirty or not in the right position.	Check the filter about dirt and the position.
There is little or no steam and no hot water.	Limescale in hot water modul.	Perform "Hot water descaling". (Service/Maintenance – Part 1)
Steam very wet.	Limescale in the boiler and on the internal probe.	Remove the limescale from the boiler. (Service/Maintenance - Part 2)
	Hot water is switched on.	Briefly press button (T3) on the handle or button (C) on the display.
There is no hot water.	Hot water not switched on.	Briefly press button (C) on the display and then button (T3) on the handle.
	Reservoir tank (P) is empty.	Fill reservoir tank (P) hot water with clear tap water.

Use this table to document service and maintenance work performed, in order to improve overview and control.

Service/Maintenance	Date	Comment	Performed by:
<input type="checkbox"/> Hot water module descaling			
<input type="checkbox"/> Boiler descaling			
<input type="checkbox"/> Additional work			
<input type="checkbox"/>			
<input type="checkbox"/> Hot water module descaling			
<input type="checkbox"/> Boiler descaling			
<input type="checkbox"/> Additional work			
<input type="checkbox"/>			
<input type="checkbox"/> Hot water module descaling			
<input type="checkbox"/> Boiler descaling			
<input type="checkbox"/> Additional work			
<input type="checkbox"/>			
<input type="checkbox"/> Hot water module descaling			
<input type="checkbox"/> Boiler descaling			
<input type="checkbox"/> Additional work			
<input type="checkbox"/>			
<input type="checkbox"/> Hot water module descaling			
<input type="checkbox"/> Boiler descaling			
<input type="checkbox"/> Additional work			
<input type="checkbox"/>			
<input type="checkbox"/> Hot water module descaling			
<input type="checkbox"/> Boiler descaling			
<input type="checkbox"/> Additional work			
<input type="checkbox"/>			

Use this table to document service and maintenance work performed, in order to improve overview and control.

Service/Maintenance	Date	Comment	Performed by:
<input type="checkbox"/> Hot water module descaling			
<input type="checkbox"/> Boiler descaling			
<input type="checkbox"/> Additional work			
<input type="checkbox"/>			
<input type="checkbox"/> Hot water module descaling			
<input type="checkbox"/> Boiler descaling			
<input type="checkbox"/> Additional work			
<input type="checkbox"/>			
<input type="checkbox"/> Hot water module descaling			
<input type="checkbox"/> Boiler descaling			
<input type="checkbox"/> Additional work			
<input type="checkbox"/>			
<input type="checkbox"/> Hot water module descaling			
<input type="checkbox"/> Boiler descaling			
<input type="checkbox"/> Additional work			
<input type="checkbox"/>			
<input type="checkbox"/> Hot water module descaling			
<input type="checkbox"/> Boiler descaling			
<input type="checkbox"/> Additional work			
<input type="checkbox"/>			
<input type="checkbox"/> Hot water module descaling			
<input type="checkbox"/> Boiler descaling			
<input type="checkbox"/> Additional work			
<input type="checkbox"/>			

Service/Maintenance Part 1

Hot water module descaling

Use of the hot water module causes lime scale to form over time depending on the hardness of the water used. To prevent a fault caused by lime scale in the steam hose we recommend that you descale regularly.

 **INFO :**


Error, cause remedy

... no steam or hot water is produced when the steam lever is pressed.

Check whether the hose nozzle in the steam suction hose connector is dogged with lime scale. If it is, proceed as follows:

Warning! Descalers can be harmful. Read the information on the descaler packaging and follow the safety instructions.



Descalers or vinegar may cause damage to surfaces. Wipe up drops immediately. Only use suitable and recommended descalers.

 **INFO :** The steam hose does not have to be descaled if you use decalcified water.

Descaling Module Washing Extraction

2. Descaling

Cap (P)

<p>a)</p> 	<p>Completely empty the contents of the Washing module extraction tank.</p> <p>Mix 0.4 liters of vinegar and 0.6 liters of tap water in a dosing bottle.</p> <p>Open the washing-extraction cap(P) and pour the vinegar mixture.</p> <p>Insert the steam-suction tube into the appliance.</p>
<p>b)</p>  <p>Button (C)</p>	<p>Now connect the appliance to the mains and press the button (C) on the display.</p> <p>The appliance will turn on and the display will show "COL".</p> <p>Press the steam trigger on the handle and pour the contents onto a basin.</p> <p>Repeat the descaling procedure two to three times if you notice any residual limescale.</p>



WARNING: Descaler residue can be harmful to health and damage surfaces. Wipe up drops immediately.

3. Rinsing



Pour 1 liter of tap water into the tank washing extraction. Connect the appliance to the mains and press button (C) on the display.

The unit will turn on and the display will show "COL".

Press the steam trigger on the handle. and pour the contents on a basin.

Repeat the procedure to rinse any residual limestone and vinegar.

The appliance is now ready for use again.

Service/Maintenance Part 2

Boiler descaling

Descaling instructions boiler / introduction

The boiler must be descaled, at the latest, when the probe symbol appears on the display with the word “CLEAN”. Because the hardness of the water varies significantly depending on the location, scheduled descaling may need to be brought forward if you notice a significant drop in steam emission, or particles of limescale coming out of the steam accessories.



MAKE SURE THE APPLIANCE HAS COOLED DOWN COMPLETELY



Warning! Descalers can be harmful. Read the information on the descaler packaging and follow the safety instructions.

Descalers or vinegar may cause damage to surfaces. Wipe up drops immediately. Only use suitable and recommended descalers.


Only perform descaling on a cooled appliance.

Recommended descaler:

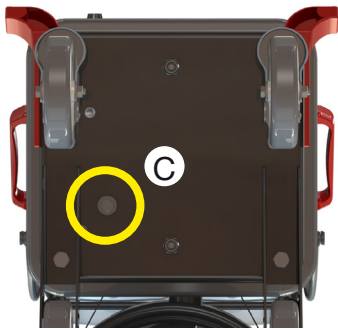


Boiler descaling / step 1

1. Preparation

-  **Warning:** Before starting, disconnect from the main power by pulling out of the plug.

a)



Identify the boiler draining cap (C) positioned under the appliance (wrench CH20).

Put a basin in place and open the draining cap by turning it anti-clockwise.

Drain the boiler completely and screw the draining cap back on.

Tighten without forcing.


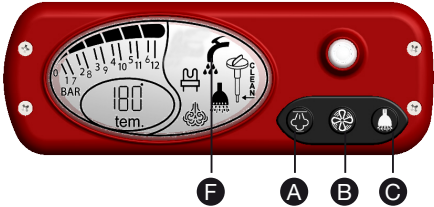
b)


Cap (O)





b) Carry out the same procedure to empty the refilling tank (unscrewing plastic cap O).

2. Descaling

<p>a) Cap (O)</p> 	<p>Remove the cap (O) of the water tank and pour in 0.4 litre of descaling solution and about 1 litre of tap water.</p>
<p>b)</p> 	<p>When the machine is switched OFF, press and hold down the A-B-C buttons on the control panel and switch the appliance on by turning the main switch ON.</p> <p>If the boiler temperature is above 50°C, the CLN wash will not start, and an E12 error message will appear on the display.</p>
<p> WARNING: Working time approx. 20 minutes</p>	
<p>c)</p> 	<p>If the machine is cold, the system will begin the first wash, which will last 20 minutes, and a progress bar will appear on the display.</p> <p>After 20 minutes, the machine will emit a double beep, and the warning signal E13 will appear on the display; and at this point, the boiler must be drained (unscrew the drainage cap under the machine), as well as the water tank previously loaded.</p>

 **WARNING:** Descaler residue can be harmful to health and damage surfaces. Wipe up drops immediately. Read the information on the descaler packaging and follow the safety instructions.

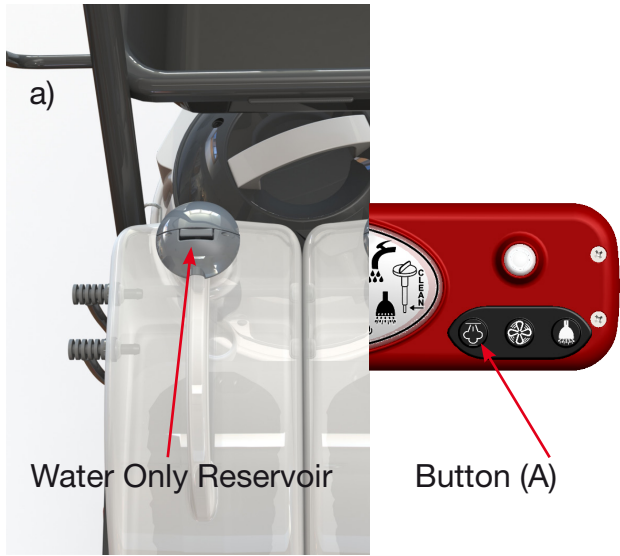
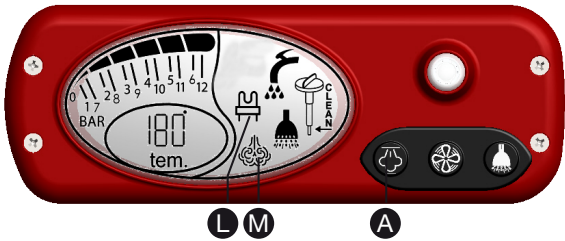
3. Rinsing

<p>a)</p>  <p>Tappo (O)</p>	<p>Screw the boiler drainage outlet cap back on (do not screw too tight) and fill the reservoir (O) with clean water, then press key A to start the first cycle, which will last 9 minutes.</p> <p>After 9 minutes, the machine will emit a double beep with warning signal. When E13 shows on the display, the boiler and the reservoir (O) previously filled must be emptied.</p>
<p>b)</p>  <p>Symbol (F) Button (A)</p>	<p>Screw the boiler drainage outlet cap back on (do not screw too tight) and fill the reservoir with clean water, then press key A to start the second cycle, which will last 9 minutes.</p> <p>After 9 minutes, the machine will emit a double beep with warning signal. When E13 shows on the display, the boiler and the reservoir (O) previously filled must be emptied.</p>



WARNING: You must perform steps 3a - 3d twice to rinse out the final residue of limescale and descaler.

4. Restart

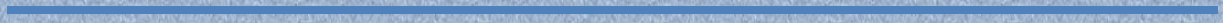
<p>a)</p>  <p>Water Only Reservoir</p> <p>Button (A)</p>	<p>Close the boiler drainage outlet (do not screw too tight), fill the reservoir with clean water and then press button A to start working normally.</p> <p>NOTE:</p> <p>If there is no water in the reservoir during the descaling programme, the machine will automatically pause. To restart, fill the reservoir up to the level and press the A button.</p>
 <p>L M A</p>	<p>PLEASE NOTE! When, for the first time, you turn the device on once more, the minimum water level must be restored inside the boiler.</p> <p>Press button A on the control panel and execute three/four full water-filling cycles to restore normal functional conditions of the device.</p> <p>N.B.!: On using the machine for the first time after this operation, discharge some of the steam onto a rag. Discharge repeatedly so that no descaling solution remains in the steam circuit.</p> <p>The machine is now ready for use once more!</p>



INFO: The boiler must be refilled back to the minimum fill level following descaling. It may be necessary to press button (A) on the display several times until this is done.

Service/Maintenance Part 3

Accessories and O-ring



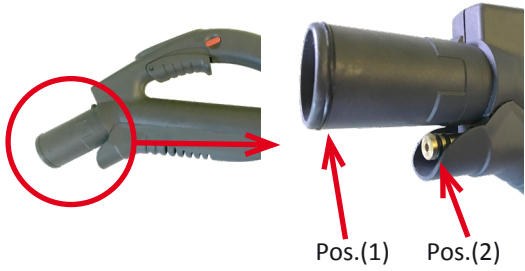

Care of accessories

It is essential to clean accessory parts after use to maintain the performance and functionality of the appliance. Te connections on the extension pipes and the safety handle can be sprayed with a suitable lubricant or silicone spray as required. This will make it easier to change accessory parts.


Checking the O-rings

To avoid damage to the appliance or accessories, the O-rings on the safety handle and the extension pipes must be checked regularly for damage. The O-rings will last longer if they are coated regularly with a lubricant/ silicone spray or a non-acidic grease.

Checking the O-rings

 <p>Pos.(1) Pos.(2)</p>	<p>Check the O-rings on the safety handle for damage:</p> <p>Pos.(1): 1 O-ring on the suction pipe Pos.(2): 2 O-rings on the steam spout</p>
 <p>Pos.(3)</p>	<p>Check the O-rings on the connector for damage:</p> <p>Pos(3): 2 O-rings on the brass spout</p>

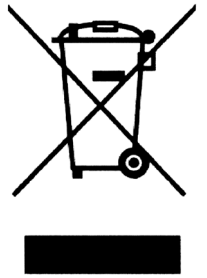
Checking O-rings on the extension pipes

 <p>Pos.(4) Pos.(5)</p>	<p>Check the O-rings on all extension pipes for damage:</p> <p>Pos.(4): 1: O-ring on the suction pipe Pos.(5): 2 O-rings on the steam spout</p>
--	---

Information for users

According to Directives 2011/65/EU and 2012/19/EU on the reduced use of hazardous substances in electrical and electronic equipment, and their disposal, the barred bin symbol means that at the end of its useful life the product must be disposed of separately from ordinary waste.

The user must therefore take such equipment to proper collection centres for electrical and electronic waste, or take it back to the dealer when he buys some equivalent equipment, in the ratio of 1:1.



A suitably differentiated waste collection, followed by recycling, treatment and environmentally friendly disposal helps prevent negative effects on health and the environment and favours the recycling of materials.

Any unauthorized equipment disposal by the user will be subject to sanctions as provided for by current local regulations.

DICHIARAZIONE DI CONFORMITA' CE CE DECLARATION OF CONFORMITY

Il sottoscritto, rappresentante il seguente costruttore
The undersigned, representative of the following manufacturer

[costruttore] T.P.A. IMPEX S.p.A.
[indirizzo] Piazzetta Albere, 3/4 ,Fellette di Romano d'Ezzelino-VI (ITALIA)

DICHIARA che l'apparecchiatura descritta in appresso:
DECLARES that the product:

Descrizione <i>Description</i>	STEAM AND VACUUM CLEANER
Modello <i>Model</i>	STEAM HERO

è conforme alle disposizioni legislative che traspongono le seguenti direttive:

- direttiva 2014/30/UE (Direttiva EMC)
- direttiva 2006/42/CE (Direttiva macchine)
- direttiva 2011/65/UE (Direttiva RoHS)

is in accordance with the following Directives:

- 2014/30 EU Directive (EMC Directive)
- 2006/42 EC Directive (Machinery Directive)
- 2011/65/UE RoHS Directive

e che sono state applicate tutte le norme e/o specifiche tecniche di seguito indicate
and that all the following standards have been applied

EN 60335-2-69:2012, EN 60335-2-79:2012
used in conjunction with EN 60335-1:2012/A15:2021
EN 62233 :2008

EN 55014-1 :2017
EN 55014-2 :2015
EN 61000-3-2 :2019
EN 61000-3-3 :2013/A1 :2019

Ultime due cifre dell'anno in cui è affissa la marcatura CE '23
Last two figures of the year of the CE marking

Luogo Romano d'Ezzelino
Place

Data 15.05.2023
Date

Firma
Sign

(nome e funzione) Giovanni Zen (Certification manager)

T.P.A. IMPEX S.p.A.
Piazzetta Albere, 3-4 - Tel. 044.832777
36060 ROMANO D' EZZELINO (VI)
P.I. e Reg. Imp. di VI N° 0196919244

CE